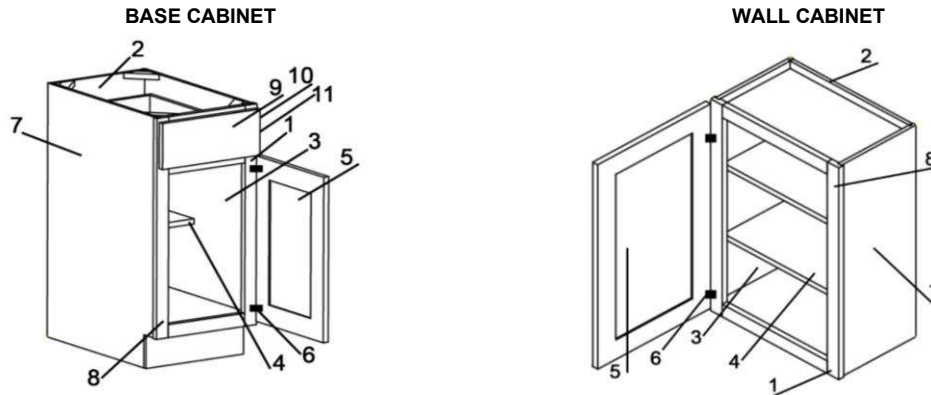


Midland Series

CABINET SPECIFICATIONS FOR HYBRID



THE HYBRID PLYWOOD SERIES

1. 3/4" x 1 1/2" HARDWOOD FACE FRAMES WITH GLUED AND POCKET SCREWED JOINTS.
2. 3/8" PARTICLE BOARD BACK WITH MAPLE PRINT INTERIOR.
3. 3/8" PLYWOOD SIDES WITH MAPLE PRINT INTERIOR.
4. 5/8" PARTICLE BOARD SHELVING WITH A MAPLE PRINT ON BOTH SIDES AND ONE EDGE.
ALL SHELVES ARE ADJUSTABLE WITH BASE CABINETS HAVING 1/2" DEPTH SHELVES,
SUPPORTED BY SHELF CLIPS.
5. HIGHLAND DOOR STYLE IS A 3/4" HDF ENGINEERED WOOD PANEL WITH SOFTENED EDGES.

PIONEER DOOR:

- A. STAINED DOOR IS A 3/16" ENGINEERED, VENEERED FLAT PANEL WITH 2 1/4" HARDWOOD STILES AND RAILS.
- B. PIONEER PAINTED DOORS WILL BE MADE WITH EITHER PAINT GRADE MAPLE STILES AND RAILS OR HDF STILES AND RAILS. CHECK WITH YOUR REP TO SEE WHAT IS OFFERED IN YOUR LOCATION FOR THIS DOOR.

6. ONE PIECE ADJUSTABLE HINGE.

DOOR UPGRADE OPTION:

1. ADJUSTABLE SOFTCLOSE HINGE

7. CABINET ENDS:

1. ARCTIC COLOR - ENDS WILL BE CLOSLY MATCHING PRINT TO ARCTIC COLOR
2. ALL OTHER COLORS - ENDS WILL BE MAPLE PRINT (NOT MATCHING THE SELECTED FINISH COLOR)
3. OPTIONAL ATTACHED FINISHED END SKINS MAY BE ADDED TO THE CABINET.

8. STANDARD FINISH CONSISTS OF NON WIPING STAIN, A COAT OF SELF SEALING CONVERSION VARNISH & A TOP COAT OF CONVERSION VARNISH. FINISH THICKNESS APPROXIMATELY 7 MIL. WET.

9. 3/4" HARDWOOD DRAWER FRONTS, PAINTED MAPLE WILL BE 3/4" HDF FRONTS.

10. SELF ADJUSTING EPOXY COATED 3/4" EXTENSION SIDE MOUNT DRAWER GUIDES.

TRACK UPGRADE OPTION:

1. UPGRADE TO A BLUM 7/8" EXTENSION UNDERMOUNT SOFT CLOSE TRACK (DOESN'T INCLUDE SOLID WOOD BOX)

11. DRAWER BOX - 1/2" RABBETED PLYWOOD DRAWER WITH 1/4" FLOOR, AND 3/4" EXTENSION SIDE MOUNT.

DRAWER UPGRADE OPTION:

1. 5/8" SOLID WOOD DRAWER BOX WITH BLUM 7/8" EXTENSION UNDERMOUNT SOFT CLOSE TRACK

**KCMA CERTIFIED
MEETS KCMA ESP STANDARD
C.A.R.B. PHASE II COMPLIANT**