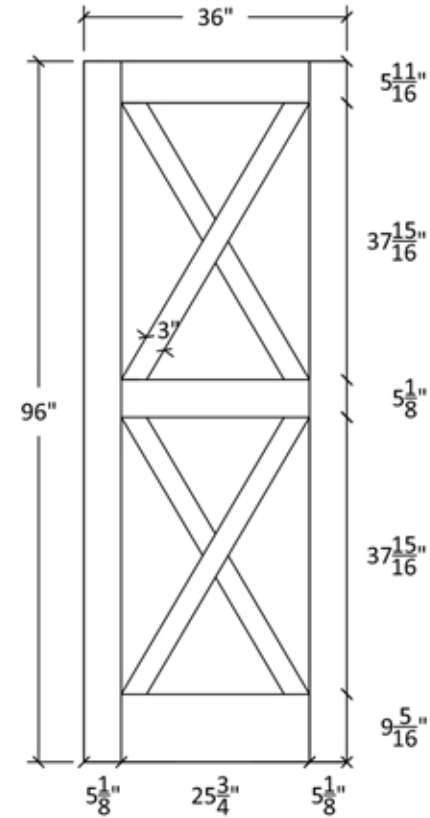
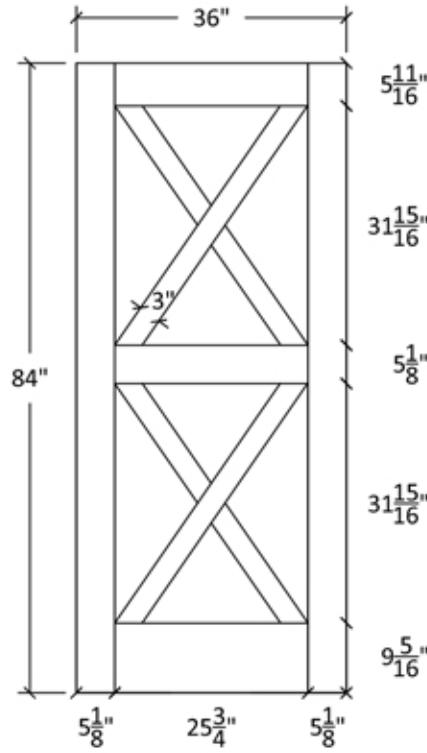
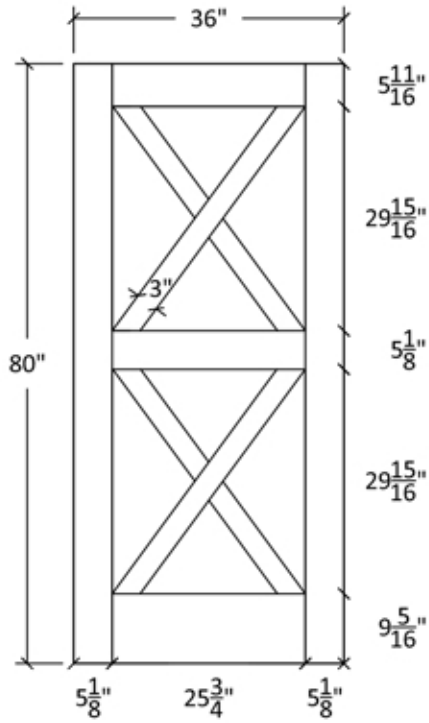


IM-20-DBLXBAR

Profile: 8315



Profile:8315



WIDTAL DESCRIPTION	
DOOR TYPE	

Project File

Project Title
 Project Number
 Project Address
 Project Phone
 Project E-mail
 Contractor
 Sheet Title

No.	Date	By	Description
▲			
▲			
▲			
▲			
▲			
▲			
▲			

Scale

Date Issued

Sheet Number

