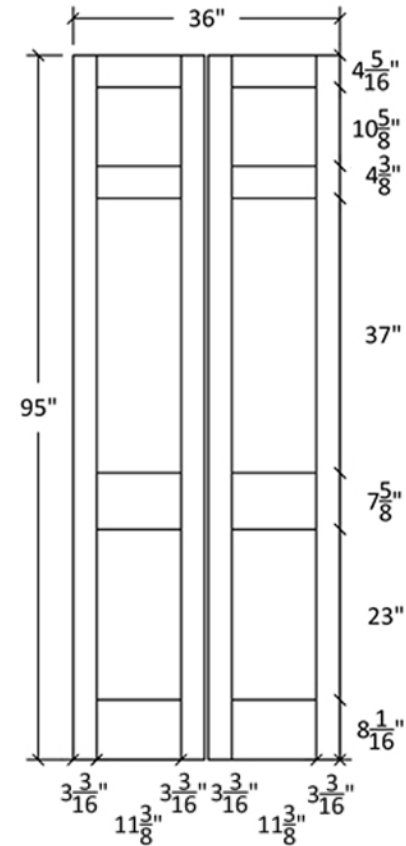
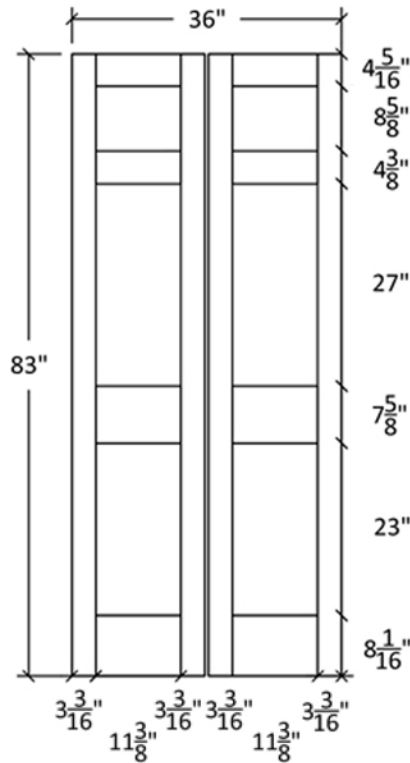
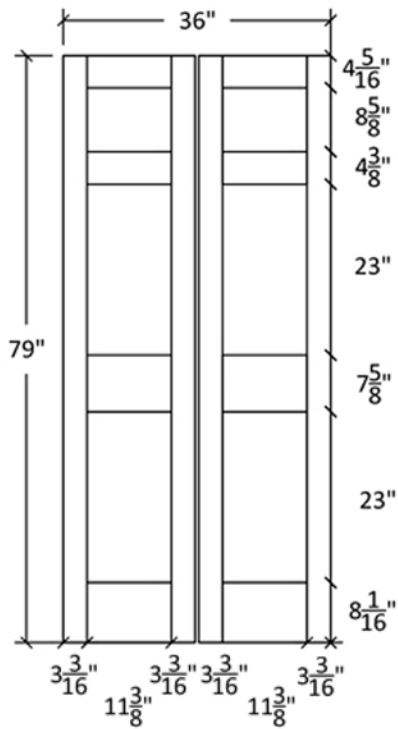




# SL-60-BF

Shaker



## Profile:8315



## Profile:8728



Additional door sizes available in Straight, Arch, and Cathedral Doors - Custom drawings per request



Made in the USA



MATERIAL DESCRIPTION	DOOR TYPE

Project Title:

Project Number:

Project Address:

Project Phone:

Project E-Mail:

Contractor:

Sheet Title:

REVISIONS:			
No.	Date:	By:	Description:

Scale

Date Issued

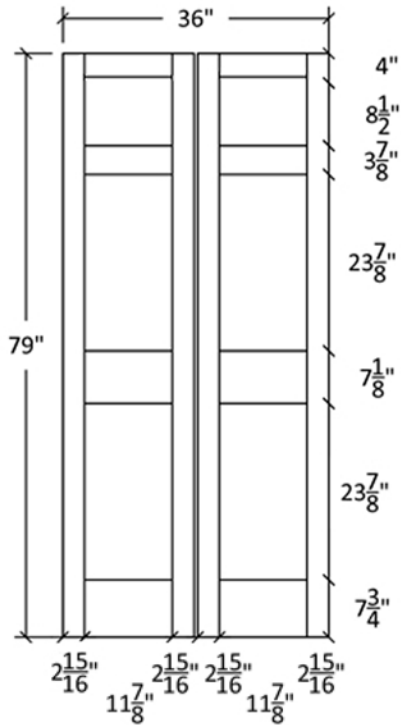
Sheet Number







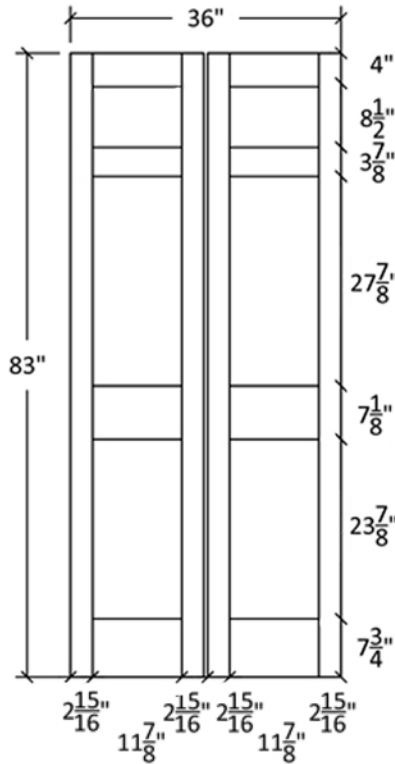
# SL-60-BF



**Profile:5426**



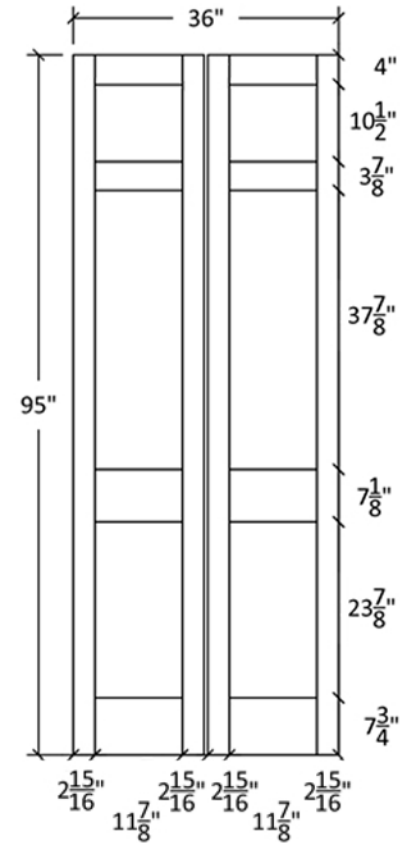
**Profile:5925**



**Profile:7797**



**Profile:6817**



**Profile:6715**



**Profile:5282**



**Made in the USA**

Additional door sizes available in Straight, Arch, and Cathedral Doors - Custom drawings per request



MATERIAL DESCRIPTION	
DOOR TYPE	

Project Title:	
Project Number:	
Project Address:	
Project Phone:	
Project E-Mail:	
Contractor:	
Sheet Title:	

REVISIONS:			
No.	Date:	By:	Description:
▲			
▲			
▲			
▲			
▲			
▲			

Scale	
Date Issued	
Sheet Number	













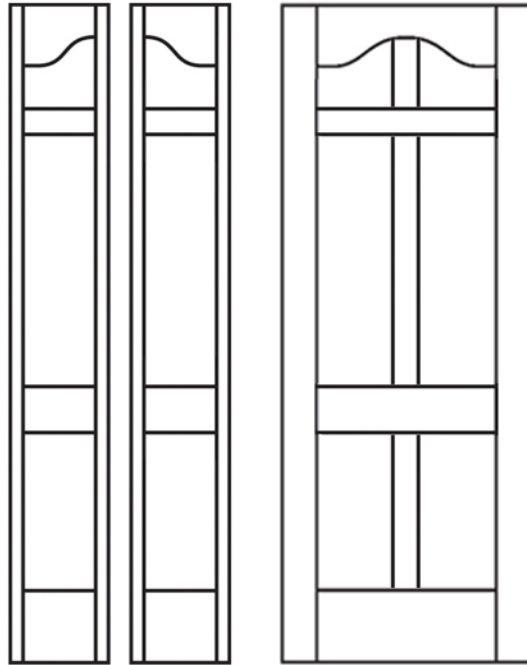


# SL-60-C

SL-60-C-BF



Made in the USA



Note:  
Cathedrals are drawn as a representation only.  
Our actual cathedrals are made from templates,  
leaving no method for actual scaled drawings.

**Profile:5925**



**Profile:7797**



**Profile:8728**



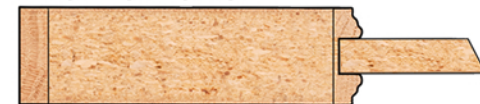
**Profile:5426**



**Profile:6715**



**Profile:7928**



**Profile:8315**



**Profile:5282**



**Profile:6817**



Additional door sizes available in Straight, Arch, and Cathedral Doors - Custom drawings per request

DOOR TYPE	MATERIAL DESCRIPTION

Project Title: \_\_\_\_\_  
 Project Number: \_\_\_\_\_  
 Project Address: \_\_\_\_\_  
 Project Phone: \_\_\_\_\_  
 Project E-Mail: \_\_\_\_\_  
 Contractor: \_\_\_\_\_  
 Sheet Title: \_\_\_\_\_

REVISIONS:			
No.	Date:	By:	Description:
▲			
▲			
▲			
▲			
▲			
▲			

Scale: \_\_\_\_\_  
 Date Issued: \_\_\_\_\_  
 Sheet Number: \_\_\_\_\_