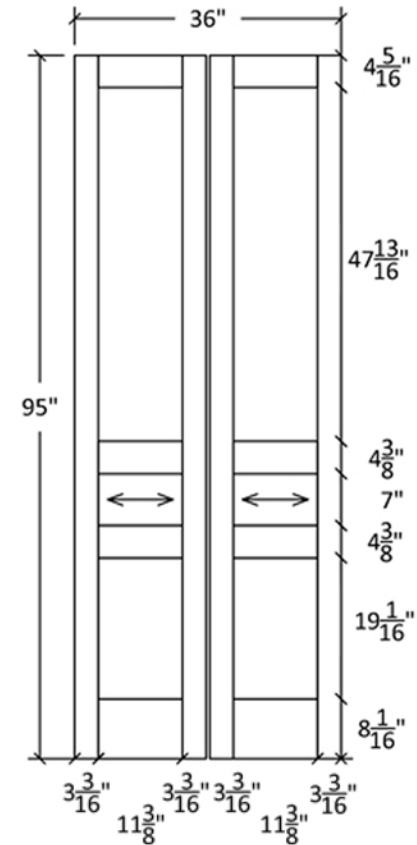
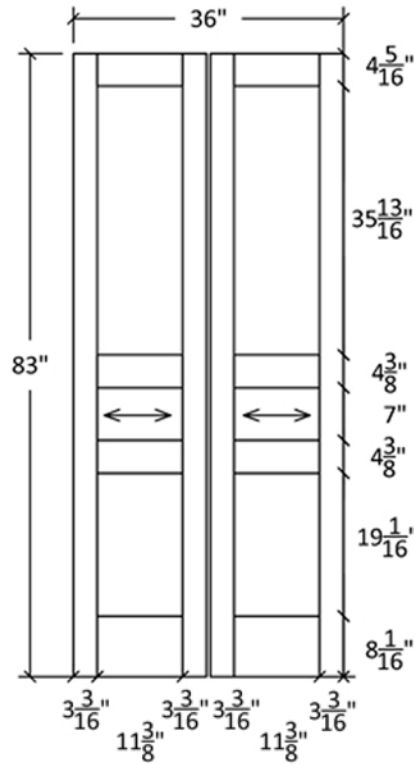
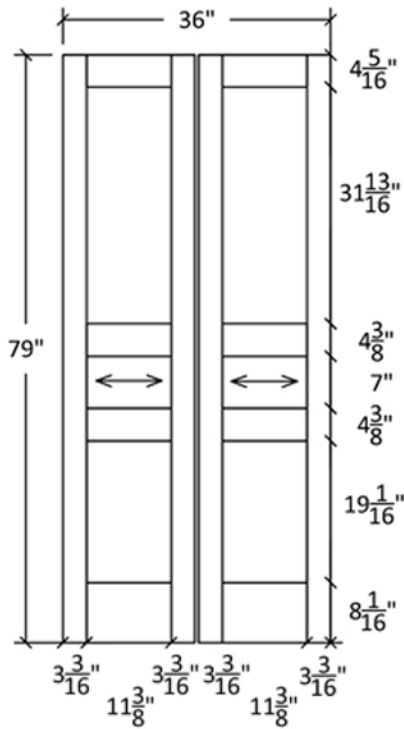




# SL-50-BF

Shaker



## Profile:8315



## Profile:8728



Additional door sizes available in Straight, Arch, and Cathedral Doors - Custom drawings per request



Made in the USA



MATERIAL DESCRIPTION	DOOR TYPE

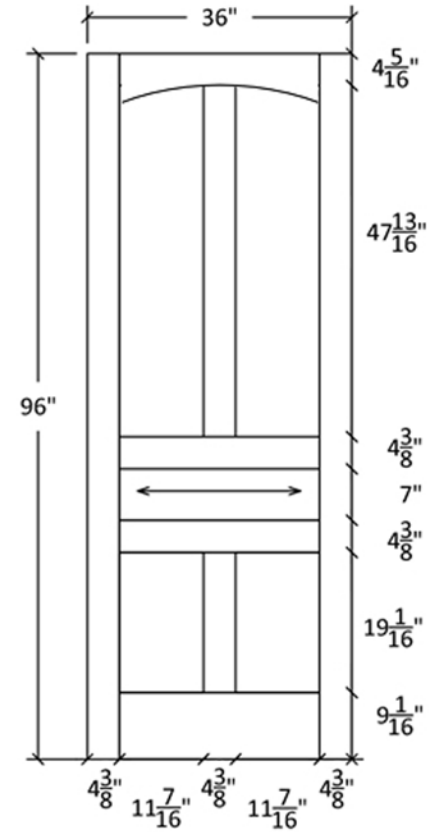
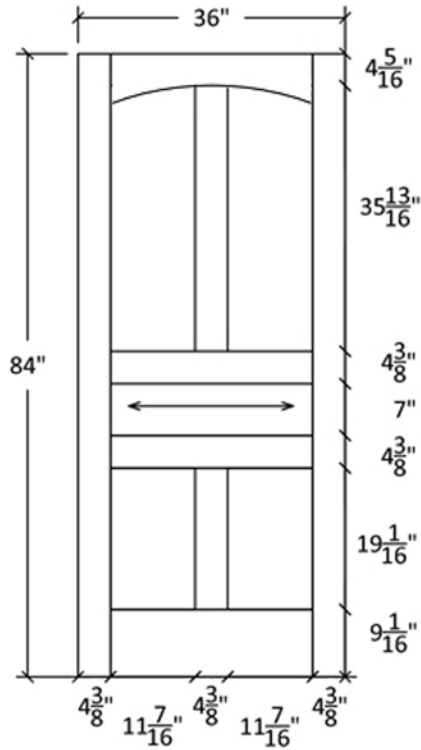
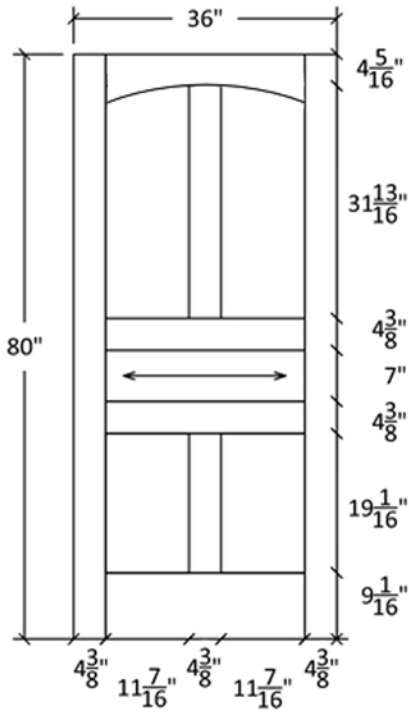
Project Title:	Project Title:
Project Number:	Project Title:
Project Address:	Project Title:
Project Phone:	Project Title:
Project E-Mail:	Project Title:
Contractor:	Project Title:
Sheet Title:	Project Title:

REVISIONS:			
No.	Date:	By:	Description:

Scale
Date Issued
Sheet Number

# SL-50-A

Shaker



## Profile:8315



## Profile:8728



Additional door sizes available in Straight, Arch, and Cathedral Doors - Custom drawings per request



Made in the USA



MATERIAL DESCRIPTION

DOOR TYPE

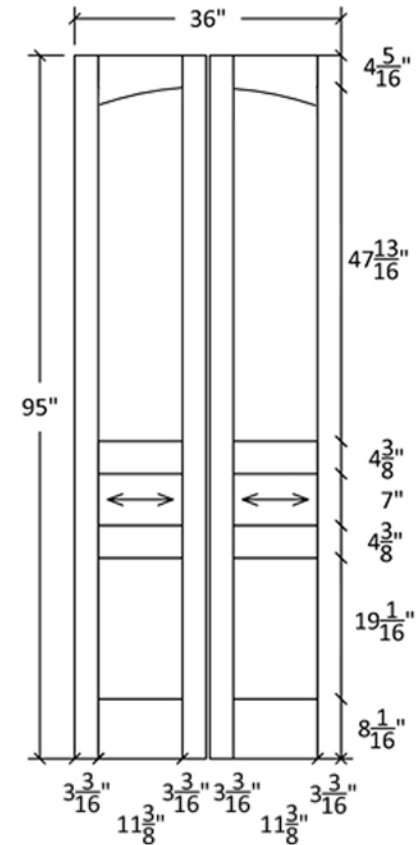
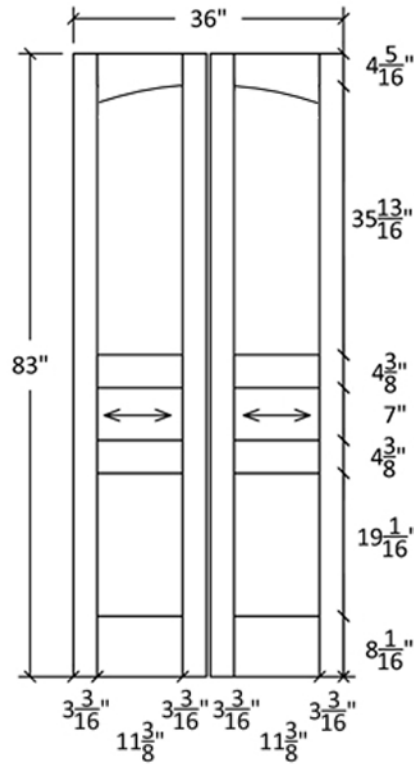
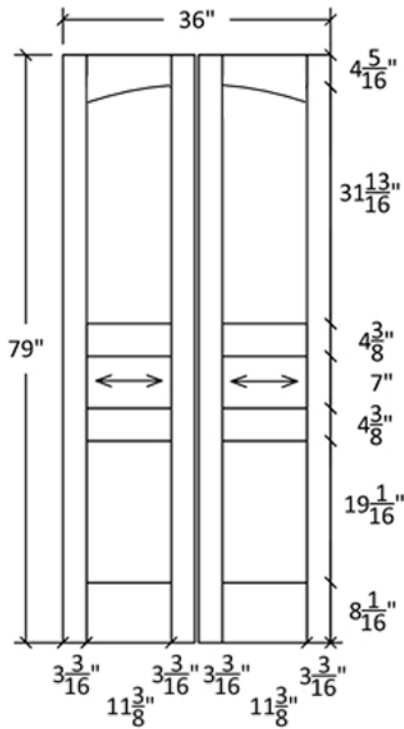
Project Title:	Project No.:
Project Address:	Project Phone:
Project E-Mail:	Contractor:
Sheet Title:	

REVISIONS:			
No.	Date:	By:	Description:

Scale
Date Issued
Sheet Number

# SL-50-A-BF

Shaker



## Profile:8315



## Profile:8728



Additional door sizes available in Straight, Arch, and Cathedral Doors - Custom drawings per request



Made in the USA



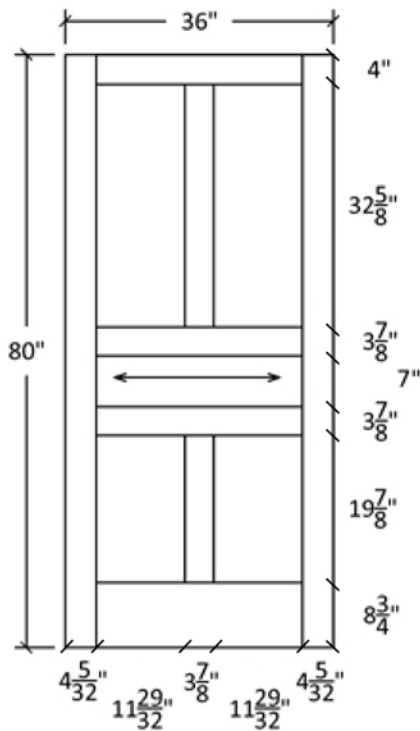
MATERIAL DESCRIPTION	DOOR TYPE

Project Title:	Project Number:	Project Address:	Project Phone:	Project E-Mail:	Contractor:	Sheet Title:

REVISIONS:			
No.	Date:	By:	Description:

Scale
Date Issued
Sheet Number

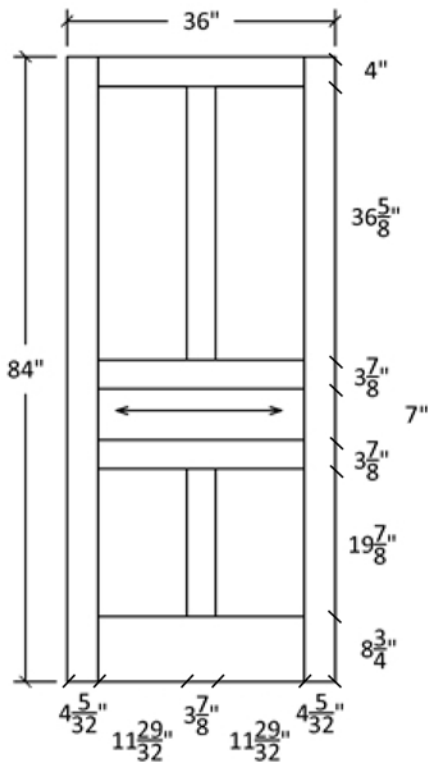
# SL-50



**Profile:5426**



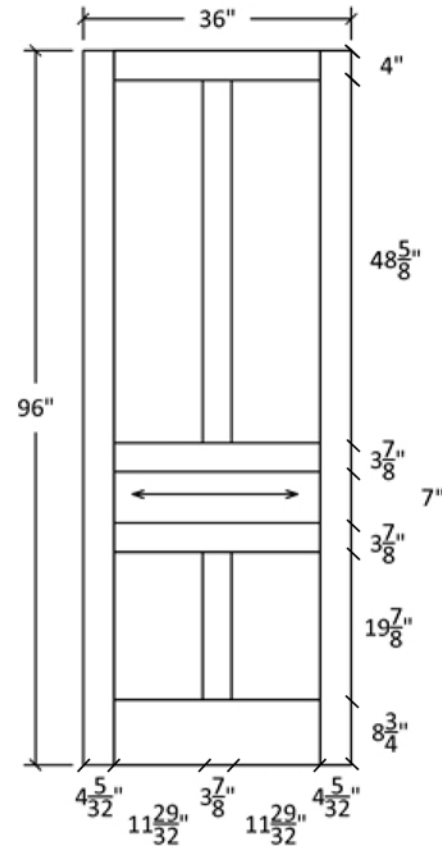
**Profile:5925**



**Profile:7797**



**Profile:6817**



**Profile:6715**



**Profile:5282**



**Made in the USA**

Additional door sizes available in Straight, Arch, and Cathedral Doors - Custom drawings per request



MATERIAL DESCRIPTION	
DOOR TYPE	

Project Title:

Project Number:  
 Project Address:  
 Project Phone:  
 Project E-Mail:  
 Contractor:  
 Sheet Title:

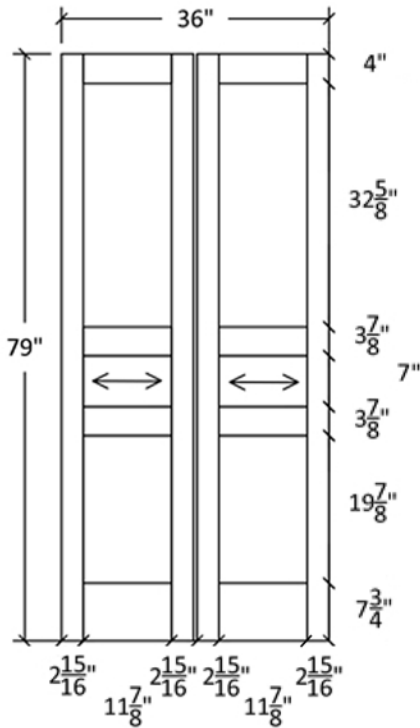
REVISIONS:			
No.	Date	By	Description
▲			
▲			
▲			
▲			
▲			
▲			

Scale

Date Issued

Sheet Number

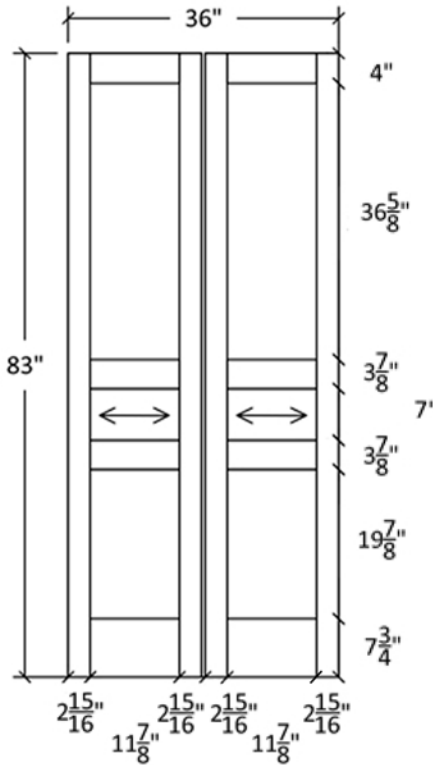
# SL-50-BF



**Profile:5426**



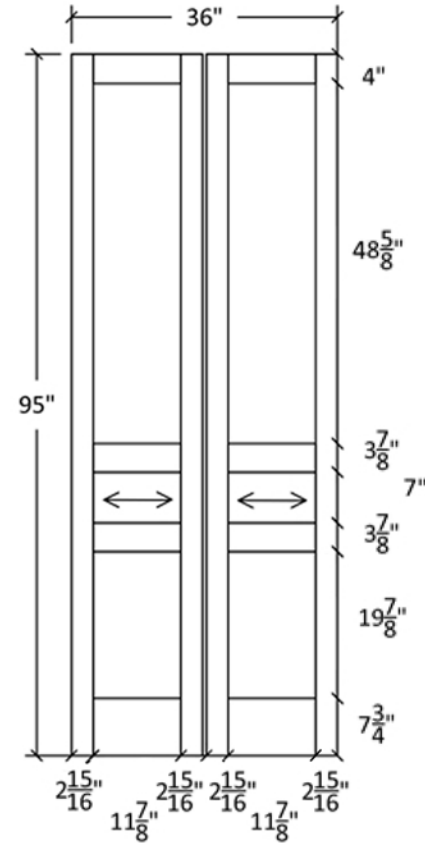
**Profile:5925**



**Profile:7797**



**Profile:6817**



**Profile:6715**



**Profile:5282**



**Made in the USA**

Additional door sizes available in Straight, Arch, and Cathedral Doors - Custom sheet drawings per request



MATERIAL DESCRIPTION	
DOOR TYPE	

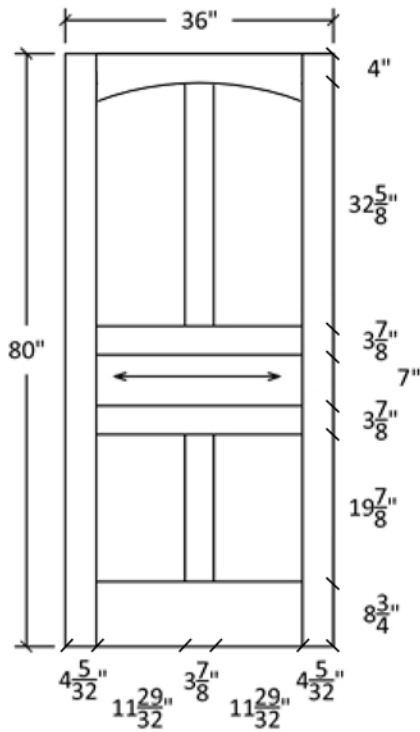
Project Title:

Project Number:  
Project Address:  
Project Phone:  
Project E-Mail:  
Contractor:  
Sheet Title:

REVISIONS:			
No.	Date	By	Description

Scale	
Date Issued	
Sheet Number	

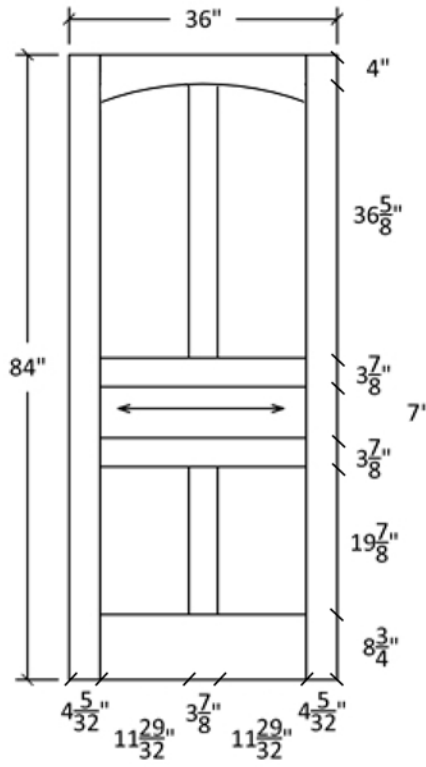
# SL-50-A



**Profile:5426**



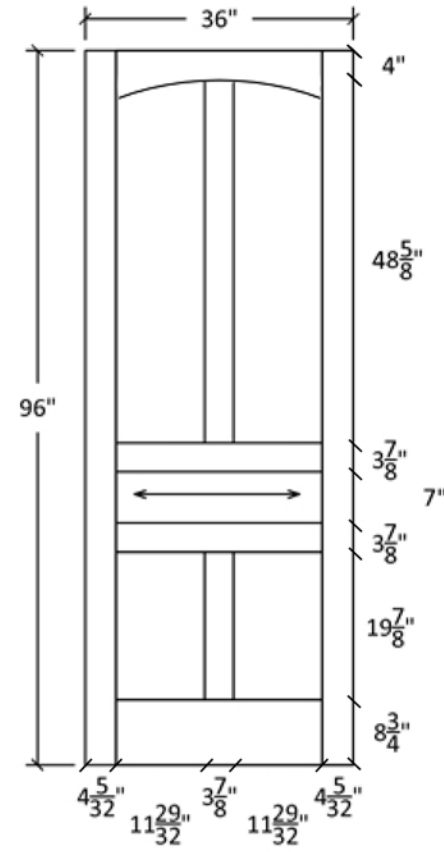
**Profile:5925**



**Profile:7797**



**Profile:6817**



**Profile:6715**



**Profile:5282**



**Made in the USA**

Additional door sizes available in Straight, Arch, and Cathedral Doors - Custom drawings per request



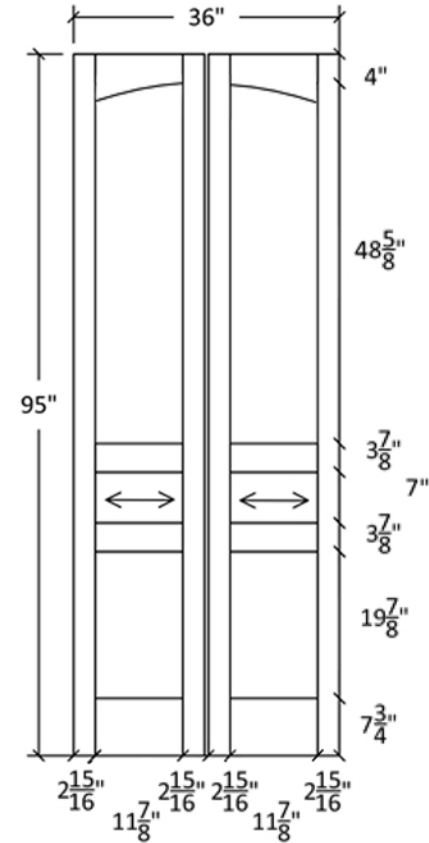
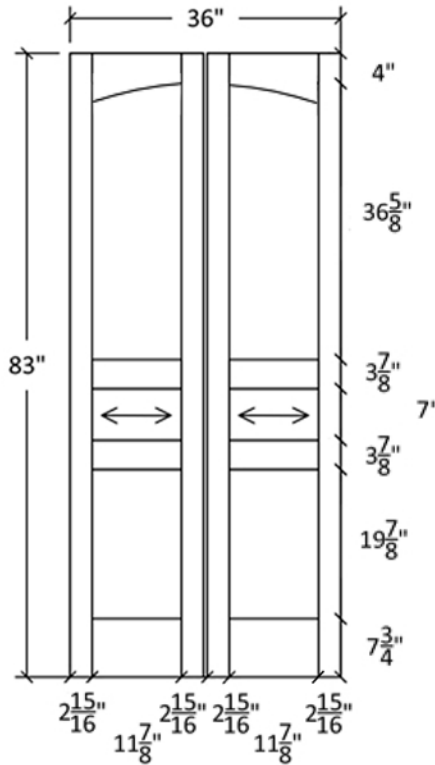
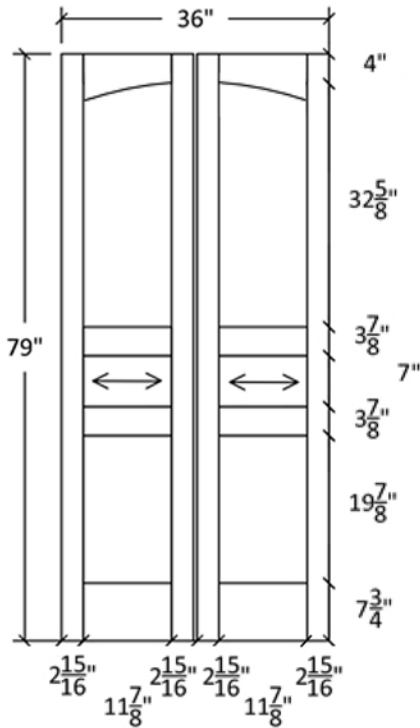
MATERIAL DESCRIPTION	
DOOR TYPE	

Project Title:	
Project Number:	
Project Address:	
Project Phone:	
Project E-Mail:	
Contractor:	
Sheet Title:	

REVISIONS:			
No.	Date:	By:	Description:
▲			
▲			
▲			
▲			
▲			
▲			

Scale	
Date Issued	
Sheet Number	

# SL-50-A-BF



**Profile:5426**



**Profile:5925**



**Profile:7797**



**Profile:6817**



**Profile:6715**



**Profile:5282**



**Made in the USA**

Additional door sizes available in Straight, Arch, and Cathedral Doors - Custom sheet drawings per request



MATERIAL DESCRIPTION	DOOR TYPE

Project Title: \_\_\_\_\_  
 Project Number: \_\_\_\_\_  
 Project Address: \_\_\_\_\_  
 Project Phone: \_\_\_\_\_  
 Project E-Mail: \_\_\_\_\_  
 Contractor: \_\_\_\_\_  
 Sheet Title: \_\_\_\_\_

REVISIONS:			
No.	Date	By	Description

Scale: \_\_\_\_\_  
 Date Issued: \_\_\_\_\_  
 Sheet Number: \_\_\_\_\_



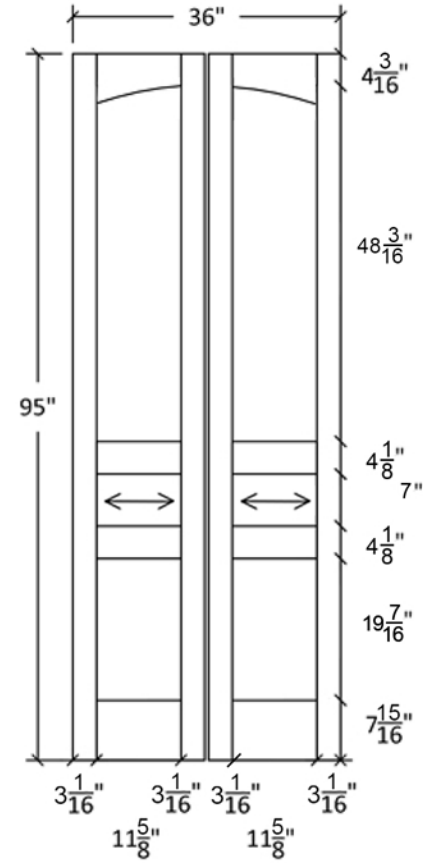
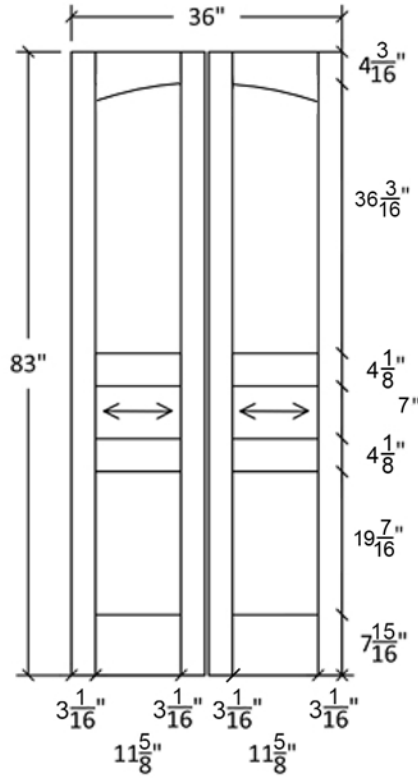
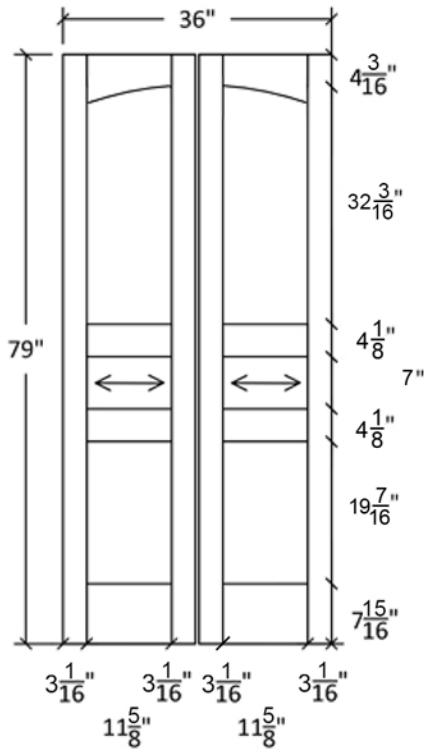






# SL-50-A-BF

Profile: 7928



## Profile: 7928



Additional door sizes available in Straight, Arch, and Cathedral Doors - Custom drawings per request



Made in the USA



MATERIAL DESCRIPTION

DOOR TYPE

Project Title: \_\_\_\_\_  
 Project Address: \_\_\_\_\_  
 Project Phone: \_\_\_\_\_  
 Project E-Mail: \_\_\_\_\_  
 Contractor: \_\_\_\_\_  
 Sheet Title: \_\_\_\_\_

REVISIONS:			
No.	Date:	By:	Description:
▲			
▲			
▲			
▲			
▲			
▲			
▲			

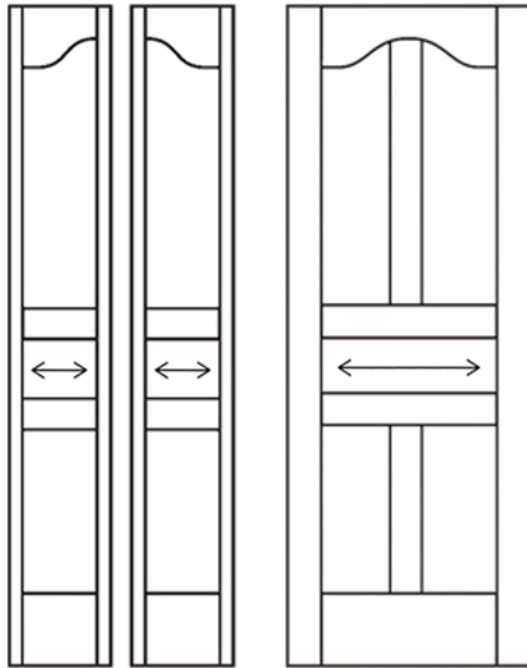
Scale: \_\_\_\_\_  
 Date Issued: \_\_\_\_\_  
 Sheet Number: \_\_\_\_\_

# SL-50-C

SL-50-C-BF



Made in the USA



Note:  
Cathedrals are drawn as a representation only.  
Our actual cathedrals are made from templates,  
leaving no method for actual scaled drawings.

**Profile:5925**



**Profile:7797**



**Profile:8728**



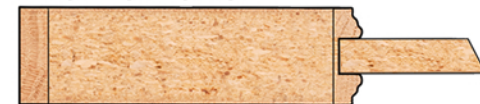
**Profile:5426**



**Profile:6715**



**Profile:7928**



**Profile:8315**



**Profile:5282**



**Profile:6817**



Additional door sizes available in Straight, Arch, and Cathedral Doors - Custom drawings per request

DOOR TYPE	MATERIAL DESCRIPTION

Project Title: \_\_\_\_\_  
 Project Number: \_\_\_\_\_  
 Project Address: \_\_\_\_\_  
 Project Phone: \_\_\_\_\_  
 Project E-Mail: \_\_\_\_\_  
 Contractor: \_\_\_\_\_  
 Sheet Title: \_\_\_\_\_

REVISIONS:			
No.	Date:	By:	Description:
▲			
▲			
▲			
▲			
▲			
▲			

Scale: \_\_\_\_\_  
 Date Issued: \_\_\_\_\_  
 Sheet Number: \_\_\_\_\_