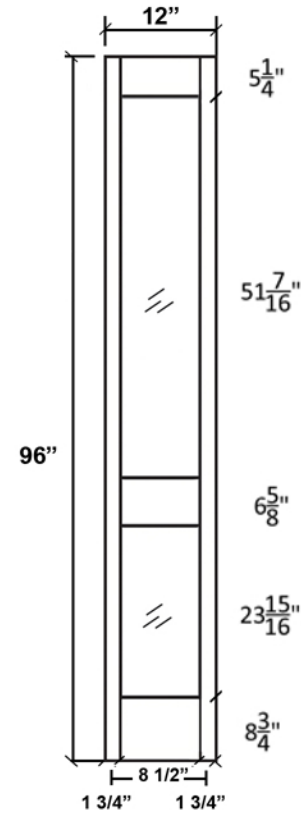
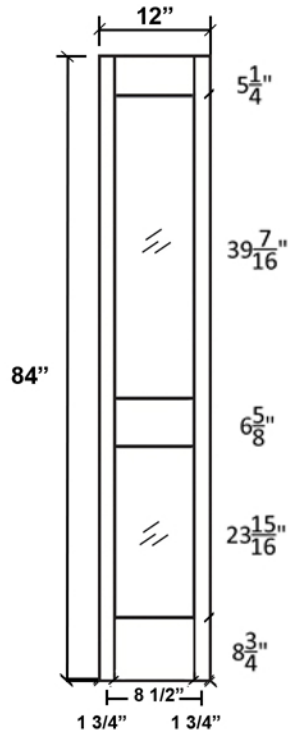
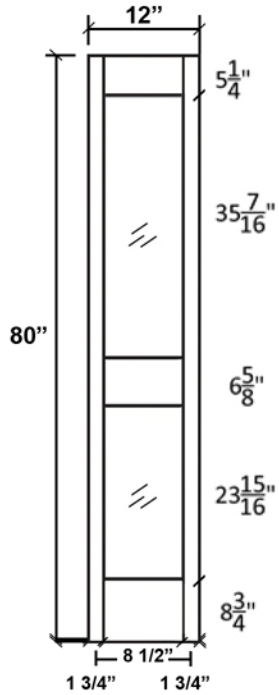




Made in the USA

# IM-FS2



### Profile:4032



### Profile:321



### Profile:4316



MATERIAL DESCRIPTION

DOOR TYPE

Project Title: \_\_\_\_\_

Project Number: \_\_\_\_\_

Project Address: \_\_\_\_\_

Project Phone: \_\_\_\_\_

Project E-Mail: \_\_\_\_\_

Contractor: \_\_\_\_\_

Sheet Title: \_\_\_\_\_

Project Fax: \_\_\_\_\_

REVISIONS:			
No.	Date	By	Description

Scale: \_\_\_\_\_

Date Issued: \_\_\_\_\_

Sheet Number: \_\_\_\_\_