

This state-of-the-art combination knife holder/cutting board system glides on full-extension ball bearing slides and is designed for Base 18", 21", and 24" cabinets. The 4KCB Series features a removable mineral oil treated cutting board and three divided sections, including a unique seven-slot knife holder compartment. Simply attach the drawer front to the 4KCB for a convenient and user-friendly organizer.

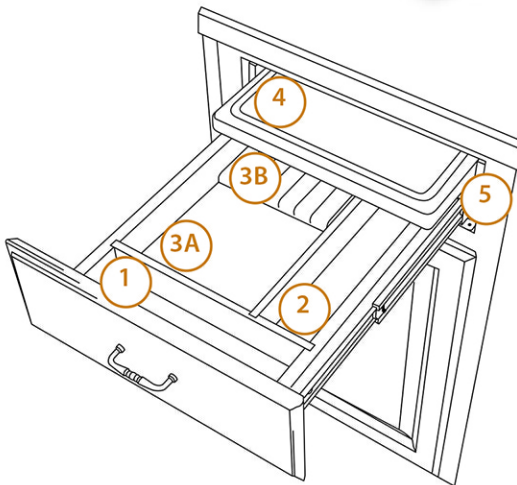


No drawer box needed!

The 4KCB arrives as a complete set so all you need to add is a drawer front.



Adjustable rear mounting bracket attaches to the rear of your cabinet.



	Base 18	Base 21	Base 24
1. Front Storage	11"W x 2½"D x 2½"H 280 mm x 73 mm x 54 mm	16¼"W x 2½"D x 2½"H 413 mm x 73 mm x 54 mm	19¼"W x 2½"D x 2½"H 489 mm x 73 mm x 54 mm
2. Side Storage	2¾"W x 16¾"D x 2½"H 72 mm x 418 mm x 54 mm One Slot	2¾"W x 16¾"D x 2½"H 70 mm x 418 mm x 54 mm Two Slots	2¾"W x 16¾"D x 2½"H 70 mm x 418 mm x 54 mm Three Slots
3a. Knife Storage Area	7¾"W x 16¾"D x 2½"H 199 mm x 418 mm x 54 mm	7¾"W x 16¾"D x 2½"H 199 mm x 418 mm x 54 mm	7¾"W x 16¾"D x 2½"H 199 mm x 418 mm x 54 mm
3b. Knife Holder	7¾"W x 9"D x ¼"H 197 mm x 229 mm x 19 mm	7¾"W x 9"D x ¼"H 197 mm x 229 mm x 19 mm	7¾"W x 9"D x ¼"H 197 mm x 229 mm x 19 mm
4. Cutting Board	13¼"W x 20"L x 1¼"H 350 mm x 508 mm x 32 mm	16¼"W x 20"L x 1¼"H 413 mm x 508 mm x 32 mm	19¼"W x 20"L x 1¼"H 489 mm x 508 mm x 32 mm
5. Support Frame <small>(Min. Overall PRODUCT DIMENSIONS)</small>	14½"W x 22¼"D x 5"H 368 mm x 566 mm x 127 mm	17½"W x 22¼"D x 5"H 445 mm x 566 mm x 127 mm	20½"W x 22¼"D x 5"H 521 mm x 566 mm x 127 mm

PRODUCT #s DESCRIPTION

PRODUCT DIMENSIONS

FINISH

Knife Holder and Cutting Board

4KCB-18	Knife Holder and Cutting Board Drawer System	14½" (368 mm)W x 22¼" (566 mm)D x 5" (127 mm)H	Wood
4KCB-21	Knife Holder and Cutting Board Drawer System	17½" (445 mm)W x 22¼" (566 mm)D x 5" (127 mm)H	Wood
4KCB-24	Knife Holder and Cutting Board Drawer System	20½" (520 mm)W x 22¼" (566 mm)D x 5" (127 mm)H	Wood

CONTAINS:

Knife Rest, Cutting Board, Full-Extension Slides, Mounting Hardware and Screws. *Knives Not Included*

NOTE:

Adjustable depth, designed for 24" (588 mm)D cabinets (Base 18", 21" & 24" drawers.) Minimum Opening Height = 4¾"