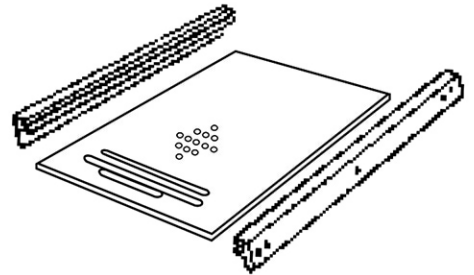
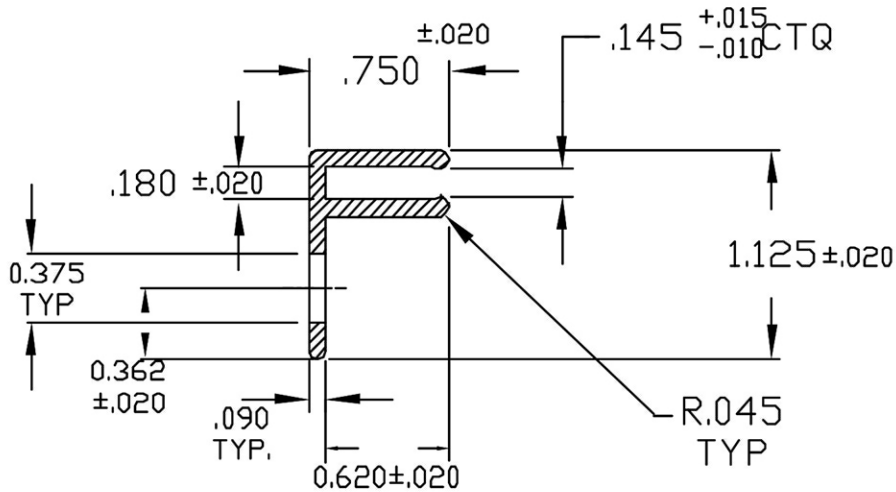
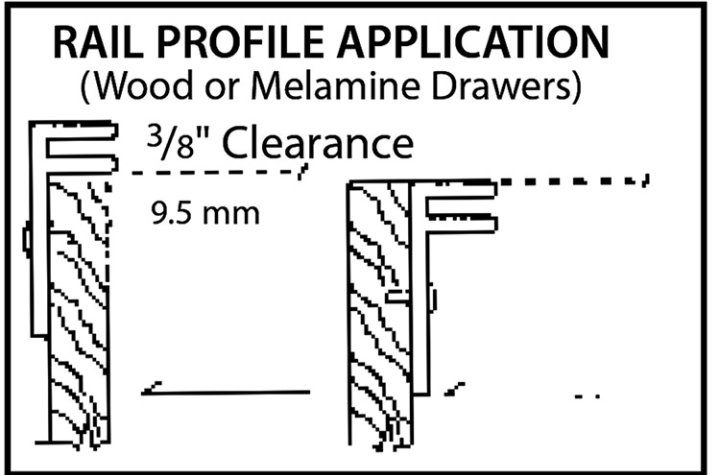


BDC SERIES

BREAD DRAWER COVER

The BDC Series is available in white, almond or translucent finishes and comes with two sizes that can be trimmed to accommodate any drawer dimension. The Bread Drawer Cover Kit contains a one-piece cover with molded in handle and rear stop, adjustable sliding rails, and mounting screws.



PRODUCT #'s	DESCRIPTION	MAXIMUM PRODUCT DIMENSIONS	MINIMUM CUT SIZE	FINISH
Bread Drawer Cover				
BDC-200-**	Bread Drawer Cover Kit	16¾" (426 mm)W x 21¾" (553 mm)L	11½" (295 mm) x Any Length	Polymer
Bread Drawer Cover				
BDC24-**	BDC Kit—White, Almond	20½" (511 mm)W x 21¾" (553 mm)L	16½" (408 mm) x Any Length	Polymer

NOTES: All BDC Kits includes (1) cover, (1) pair rails, & screws. Cover is textured to hide scratches.